

## MT-221010/S

# 698-746 MHz 2dBi Indoor Antenna Unit



### Specifications

MTI PART NUMBER		MT- 221010/S			
<b>ELECTRICAL</b>					
FREQUENCY RANGE	698-746 MHz				
GAIN	2 dBi (min)				
VSWR	1.5 : 1 (max)				
3 dB BEAMWIDTH	Azimuth - Omnidirectional Elevation -70° (typ)				
POLARIZATION	Vertical				
INPUT IMPEDANCE	50 (ohm)				
INPUT POWER	6W (max)				
<b>MECHANICAL</b>					
ANTENNA DIMENSIONS (LxWxD)	325x92x15mm (max)				
WEIGHT	0.6(kg) (max) without cable				
CONNECTOR	SMA Female				
AZIMUTH ADJUSTMENT	±45°				
TILT ADJUSTMENT	±15°				
PLASTIC MATERIALS	P.C+ABS				
OUTLINE DRAWING	See page 2				
INSTALLATION OPTION	See Below				
RF CABLE ACCESSORIES	See Below				
<b>ENVIRONMENTAL</b>					
TEST	STANDARD	DURATION	TEMPERATURE	NOTES	
LOW TEMPERATURE	IEC 68-2-1	72 h	-55°C	-	
HIGH TEMPERATURE	IEC 68-2-2	72 h	+71°C	-	
TEMP. CYCLING	IEC 68-2-14	1 h	-45°C +70°C	3 Cycles	
VIBRATION	IEC 60721-3-4	30 min/axis	-	Random4M5	
SHOCK MECHANICAL	IEC 60721-3-4	-	-	4M5	
HUMIDITY	ETSI EN300-2-4 T4.1E	144 h	-	95%	
WATER TIGHTNESS	IEC 529	-	-	IP54	
SOLAR RADIATION	ASTM G53	1000 h	-	-	
FLAMMABILITY	UL94	-	-	Vo	

#### INSTALLATION:

1. 3 Vacuum cap for window installation (Supplied with antenna).
2. Adhesive tape for window installation (Not supplied with antenna)
3. Wall installation with screws (Hardware not supplied with antenna)
4. Table position (A dummy load supplied with antenna).

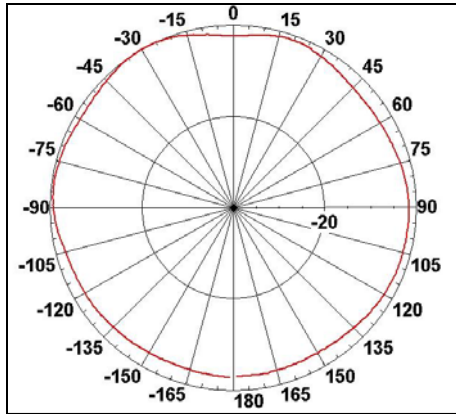
#### RF CABLE ACCESSORIES:

#	MTI P/N	Cable length	Free End connector.	Attenuation @ 700MHz
1	MT-850001/M/A	2 Meter	MCX male	1.6 dB
2	MT-850001/M/B	3 Meter	MCX male	2.4 dB
3	MT-850004/S/A	2M	SMA MALE	1.6dB
4	MT-850005/S/A	2M	SMA F R.P	1.6 dB

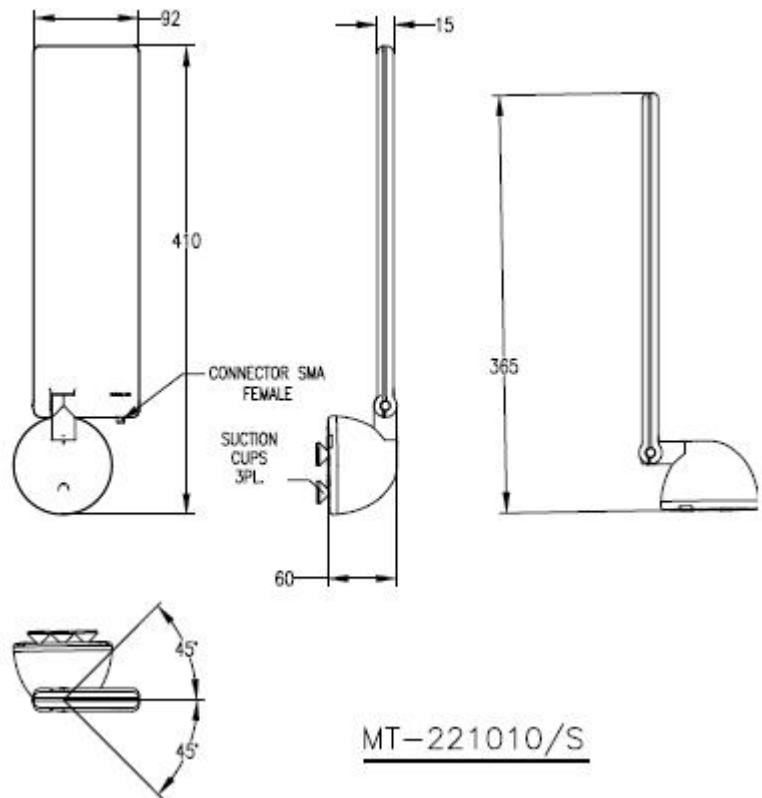
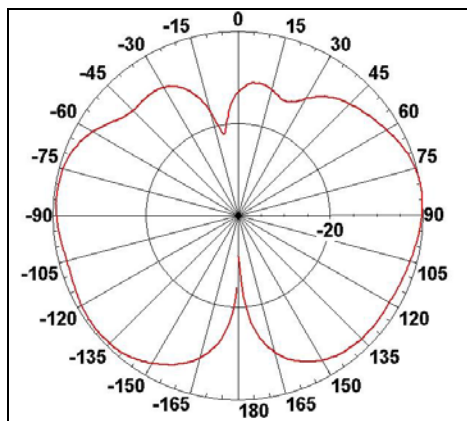
## 698-746 MHz 2dBi Indoor Antenna Unit

Azimuth Radiation Pattern  
 Midband Freq. 0.725 GHz

Dimensions [mm]



Elevation Radiation Pattern  
 Midband Freq. 0.725 GHz



MT-221010/S

### Existing Antenna Versions


MTI Wireless Edge is certified according to ISO 9001 and ISO 14001.

**WAIVER!**

While the information contained in this document has been carefully compiled to the best of our present knowledge, it is not intended as presentation or warranty of any kind on our part regarding the fitness of the products concerned for any particular use or purpose and neither shall any statement contained herein be construed as a recommendation to infringe any industrial property rights or as a license to use any such rights. The fitness of each product for any particular purpose must be checked beforehand with our specialists.

**MTI Wireless Edge Ltd.**

11 Hamelacha St.  
 Afek Industrial Park  
 Rosh Ha'ayin 48091, Israel  
 Tel: +972-3-9008900  
 Fax: +972-3-9008901  
[www.mtiwe.com](http://www.mtiwe.com)