



MTI Wireless Edge Ltd.  
11 Hamelacha St.  
Afek Industrial Park  
Rosh Ha'ayin 48091, Israel  
Tel: +972-3-9008900  
Fax: +972-3-9008900  
[www.mtiwe.com](http://www.mtiwe.com)

## Data Sheet:

# MT-900007

### MT-900007 - Integrated Antenna Enclosure and Mounting Kit



MTI Wireless Edge **MT-900007** is a complete integrated solution of enclosure, antenna and mounting kit providing The Ultimate Low Cost CPE Solution. This kit allows any equipment manufacturer to easily introduce a low cost CPE solution. Just select your preferred antenna and send us the outline measurements of your electronics. We will design and include the internal adapting plate for your electronics and send you the complete kit. Just install your electronics inside, connect the antenna and screw down the cover.

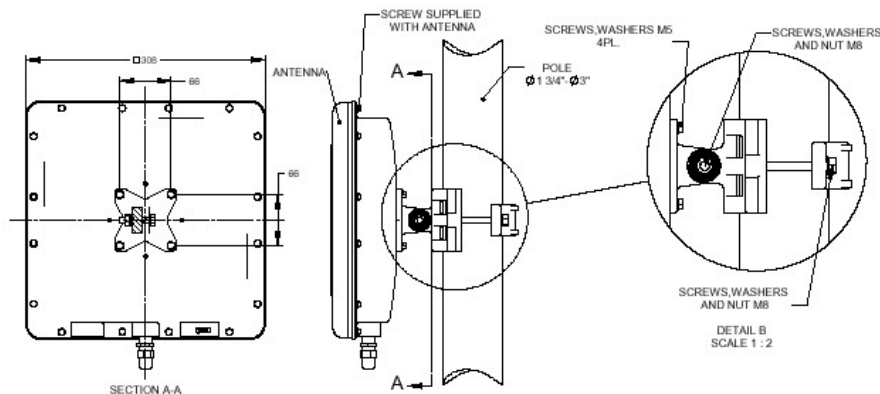
#### Features

- Can accommodate any of MTI's standard antennas up to 450mm square including diamond shape antennas
- Enough space for any conventional radio and modem electronics
- Internal adaptor plate designed to your specific assembly needs
- Professional mounting kit that allows both wall and pole installation and both azimuth and elevation control
- Built to ETSI requirements to withstand all electrical and environmental issues
- Designed for customers self installation

#### Benefits

- Very low cost CPE solution
- Highly professional and esthetic CPE solution
- We attend to all your mechanical design needs
- Customer self installed CPE

#### Pole Mount



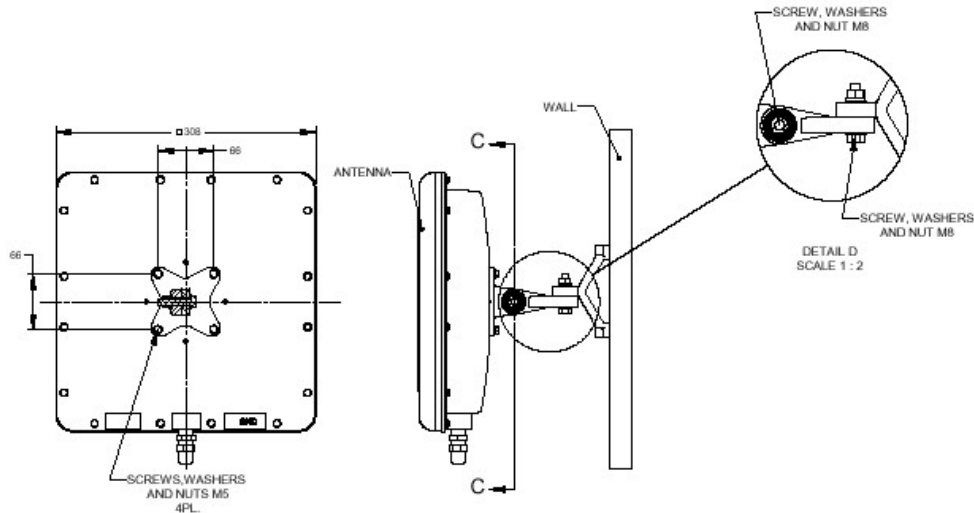


MTI Wireless Edge Ltd.  
 11 Hamelacha St.  
 Afek Industrial Park  
 Rosh Ha'ayin 48091, Israel  
 Tel: +972-3-9008900  
 Fax: +972-3-9008900  
[www.mtiwe.com](http://www.mtiwe.com)

## Data Sheet:

# MT-900007

### Wall Mount



### Specification

Size	305 x 305 x 70 mm (External size) 205 x 205 x 39.5 mm (max internal space)
Antenna Size	305x305mm (min) / 450x450mm (max)
Enclosure Weight	2.2Kg (without antenna)
Components Weight	1 Kg (max)
Connectors (Options)	RJ45, N-TYPE,
Enclosure Material	Aluminum
Fasteners	Stainless Steel
Heat Dissipation	20W max
External Color	RAL 9002
Mounting	Both wall and pole mount [see detail drawing]
AZ/EL control	Both
Pole Size	1 3/4 ÷ 3" ø
Temperature	-55°C to 71°C
Vibration	IEC 60721 3-4 4M% Random
Shock Mechanical	IEC 60721 3-4 4M5
Humidity	100%
Water Tightness	IEC 529 / IP67
Solar Radiation	ASTM G53 1000h
Ice Load	25mm radial
Salt Fog	IEC 68-2-11 Ka 500 hours
Wind Load (Survival):	
Front Thrust	47 Kg
Side Thrust	6 Kg